

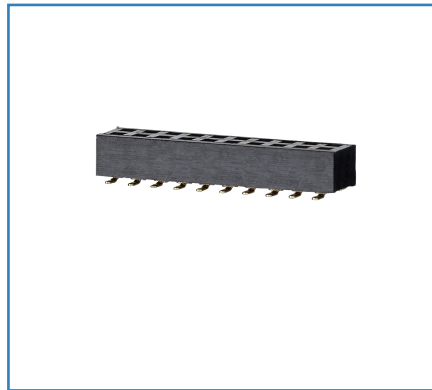
Data sheet

FM20BxxVBDN

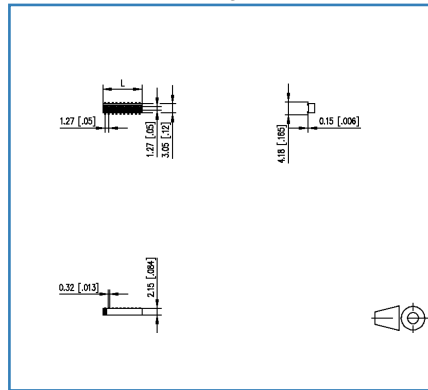
Page 1/4

P/N
FM20BXXVBDN
 xx=number of poles
 2019/10/31
 Version: M

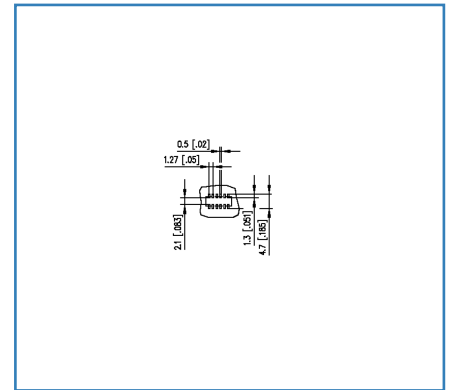
Illustrations



Dimensional drawing



Drill pattern



See enlarged drawings at the end of document

Product specification

- female connector, SMT solderable
- centerline 1.27 mm, direction of connection vertical 0°
- closed ends
- color black
- Tape & Reel packaging
- dual rows

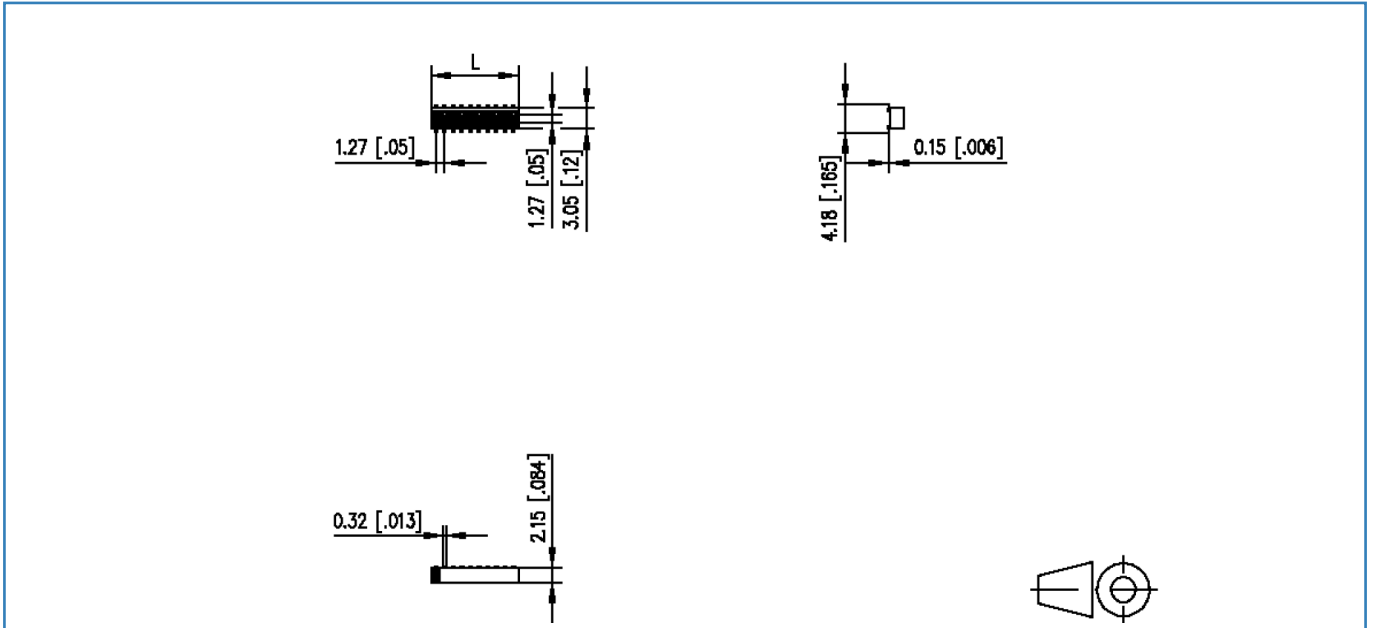
Technical Data

General Data	
min. number of poles	2
max. number of poles	40
protection category	IP00
Material	
insulating material	PA6
contact material	CuSn
contact surface	Ni + Ag
contact pin material	CuSn
contact pin surface	Ni + Au Flash
Glow-Wire Flammability GWFI	-
Glow-Wire Flammability GWIT	-
Climatic Data	
upper limit temperature	105 °C
lower limit temperature	-40 °C
General	
Tolerance	ISO 2768 -mH
Solderability	Acc. to IPC/JEDEC J-STD-020D-MSL 1

© 2019 METZ CONNECT - Technische Änderungen vorbehalten! Subject to modifications! Sous réserve de modifications techniques!

Illustrations

Dimensional drawing



$L = (\text{pole size} - 1) \times \text{centerline} + 1.73 \text{ mm} [0.068]$

© 2019 METZ CONNECT - Technische Änderungen vorbehalten! Subject to modifications! Sous réserve de modifications techniques!

Illustrations

Drill pattern

